

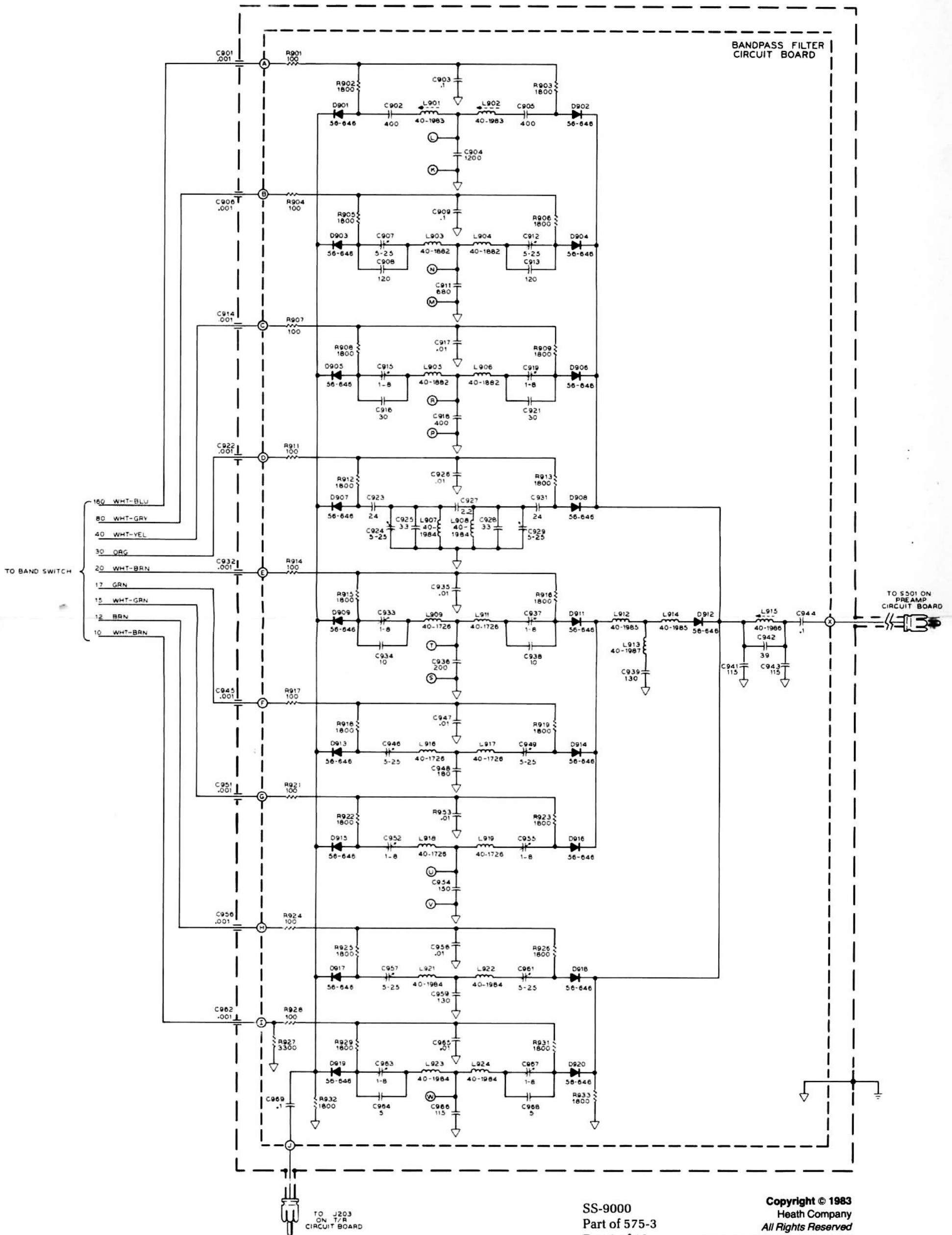
**SCHEMATIC OF THE  
HEATHKIT  
HF SYNTHESIZED TRANSCEIVER  
MODEL SS-9000**

- NOTES:
- COMPONENT NUMBERS ARE IN THE FOLLOWING GROUPS:  
 001-999 PARTS MOUNTED ON THE CHASSIS.  
 101-199 PARTS MOUNTED ON THE SYNTHESIZER CIRCUIT BOARD.  
 201-299 PARTS MOUNTED ON THE TRANSMIT/RECEIVE CIRCUIT BOARD.  
 301-399 PARTS MOUNTED ON THE MAIN AUDIO CIRCUIT BOARD.  
 401-499 PARTS MOUNTED ON THE FRONT PANEL CIRCUIT BOARD.  
 501-599 PARTS MOUNTED ON THE POWER AMP CIRCUIT BOARD.  
 601-699 PARTS MOUNTED ON THE PREAMP CIRCUIT BOARD.  
 701-799 PARTS MOUNTED ON THE CONTROLLER CIRCUIT BOARD.  
 801-899 PARTS MOUNTED ON THE BANDPASS FILTER CIRCUIT BOARD.  
 901-999 PARTS MOUNTED ON THE INVERTER CIRCUIT BOARD.  
 1001-1099 PARTS MOUNTED ON THE POWER INTERFACE CIRCUIT BOARD.  
 1201-1299 PARTS MOUNTED ON THE MOTOR DRIVE CIRCUIT BOARD.  
 1401-1499 PARTS MOUNTED ON THE MOTOR DRIVE CIRCUIT BOARD.  
 1901-1999 PARTS MOUNTED ON THE ALC CIRCUIT BOARD.

- ALL RESISTORS ARE 1/4-WATT, 5% TOLERANCE, UNLESS OTHERWISE NOTED. RESISTOR VALUES ARE IN OHMS (A-1000; M-1,000,000).
- CAPACITORS LESS THAN 1 ARE IN pF (MICROFARADS). ALL OTHER CAPACITORS ARE IN pF (PICOFARADS) UNLESS OTHERWISE NOTED.
- ARROWS ON CONTROLS INDICATE CLOCKWISE ROTATION AS VIEWED FROM THE KNOB SIDE OF THE CONTROL.
- THIS SYMBOL INDICATES A POSITIVE DC VOLTAGE MEASURED WITH A HIGH IMPEDANCE VOLTMETER FROM THE POINT INDICATED TO CHASSIS GROUND (RECEIVE MODE, NO SIGNAL INPUT).
- THIS SYMBOL INDICATES A POSITIVE DC VOLTAGE MEASURED WITH A HIGH IMPEDANCE VOLTMETER FROM THE POINT INDICATED TO CHASSIS GROUND (TRANSMIT MODE).
- THIS SYMBOL INDICATES CIRCUIT BOARD GROUND.
- THIS SYMBOL INDICATES CHASSIS GROUND.
- THIS SYMBOL INDICATES A SOLDERED CONNECTION TO A CIRCUIT BOARD.
- THIS SYMBOL INDICATES A PLUG AND SOCKET.
- SEE YOUR "SERVICE MANUAL" FOR WAVEFORMS.
- REFER TO THE "CIRCUIT BOARD X-RAY VIEWS" FOR THE PHYSICAL LOCATION OF PARTS.
- THIS SYMBOL WITH A NUMBER CORRESPONDS TO A WAVEFORM SHOWN IN THE "WAVEFORM" SECTION OF THE SERVICE MANUAL (PAGE 144).



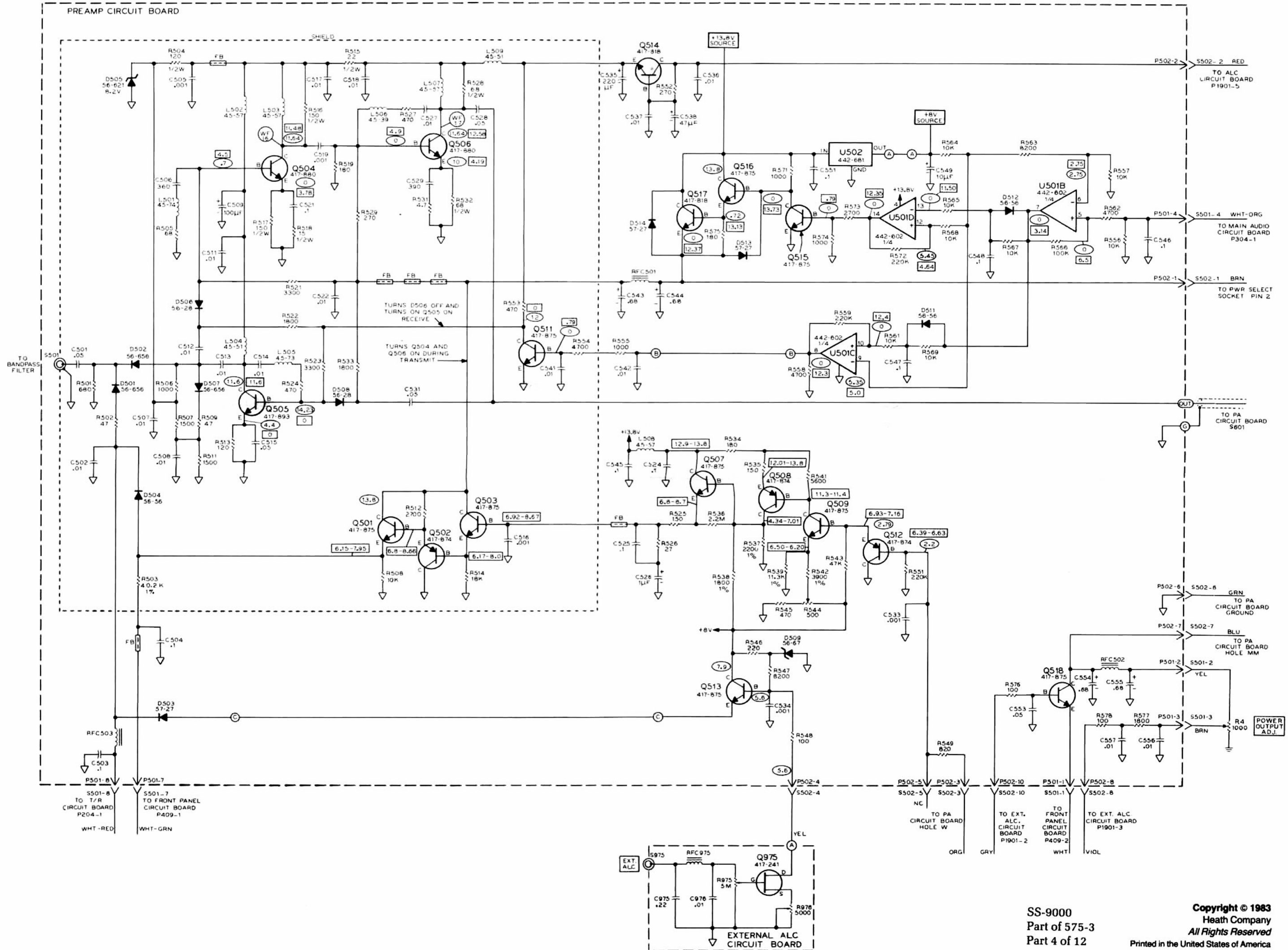
BANDPASS FILTER  
CIRCUIT BOARD



TO J203  
ON T/R  
CIRCUIT BOARD

SS-9000  
Part of 575-3  
Part 3 of 12

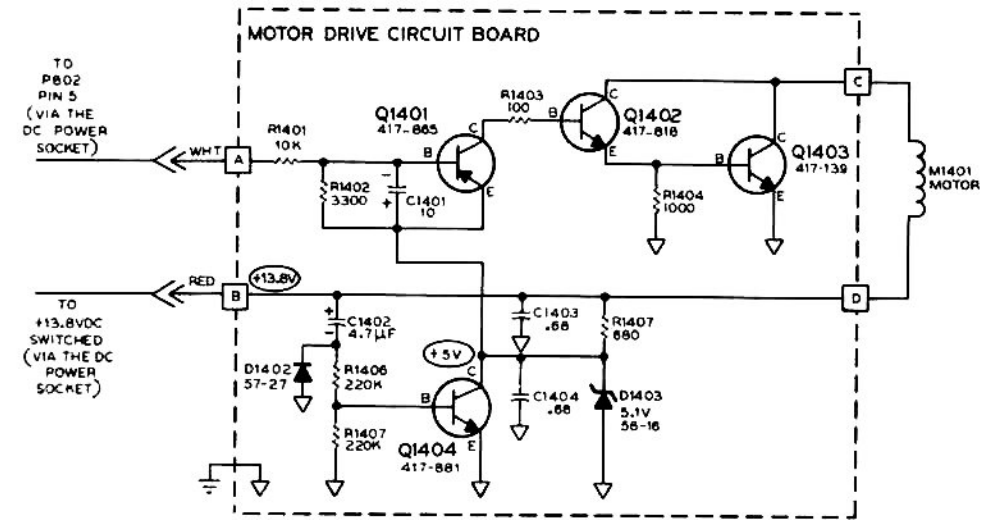
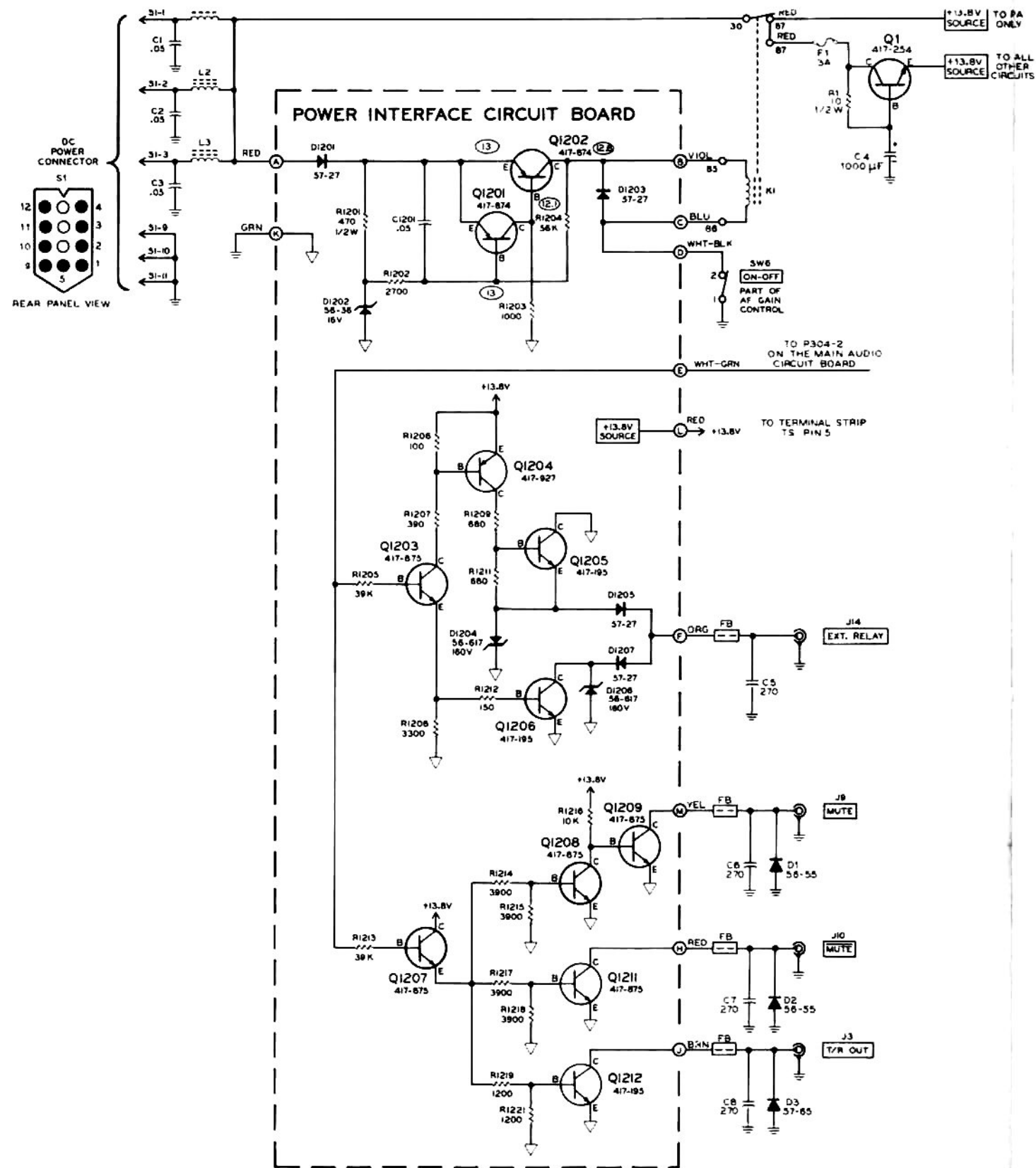
Copyright © 1983  
Heath Company  
All Rights Reserved  
Printed in the United States of America

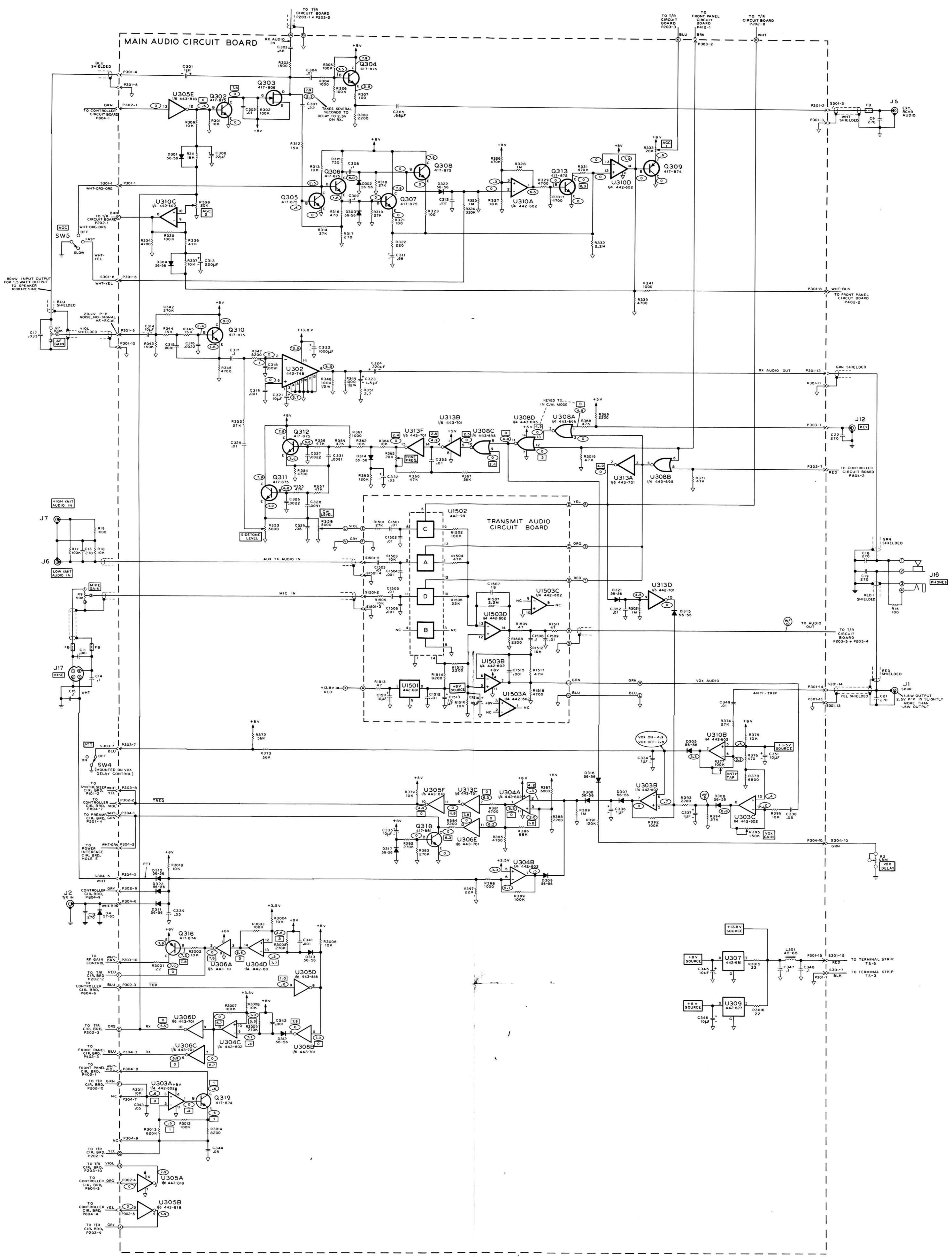


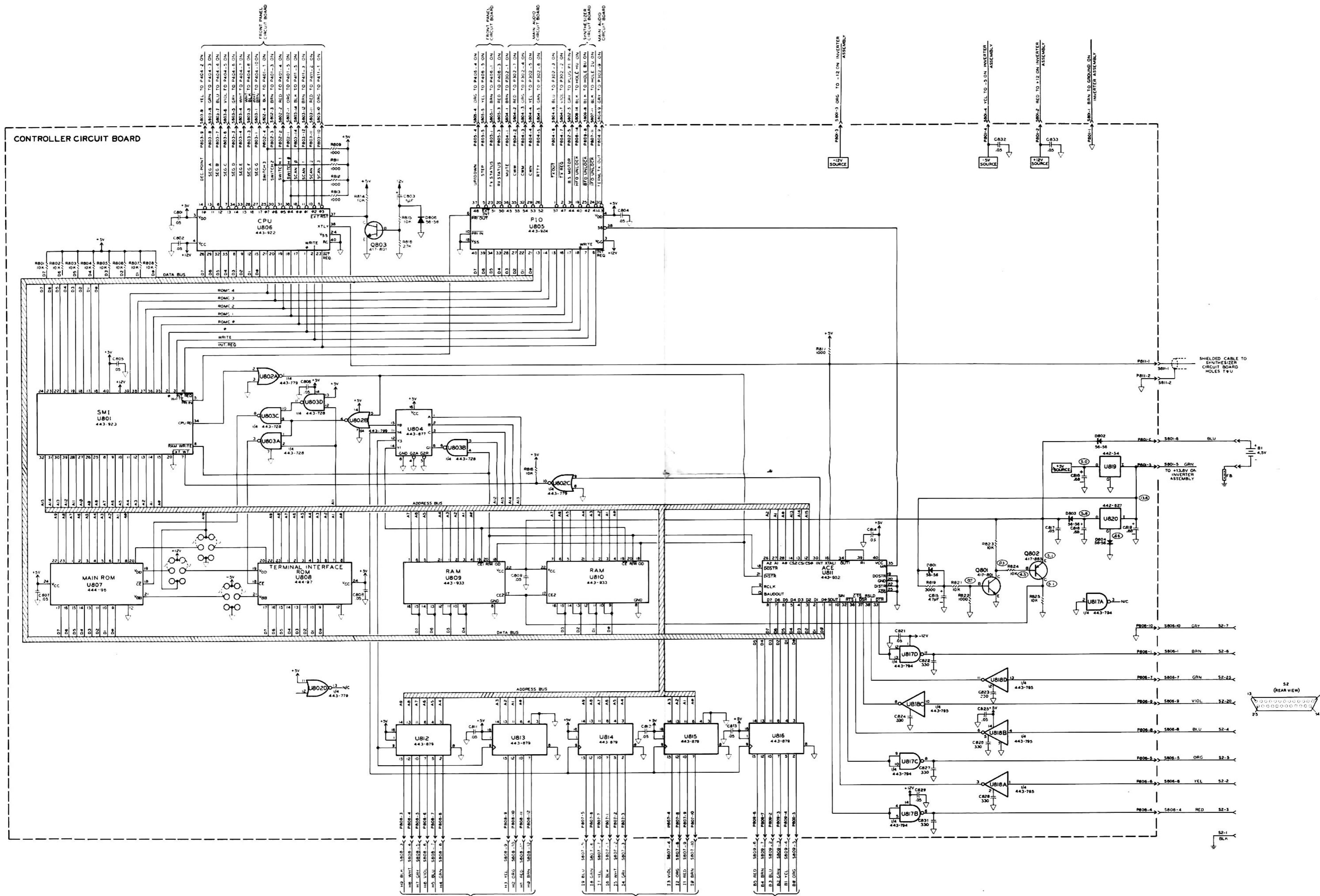
SS-900  
 Part of 575-3  
 Part 4 of 12

Copyright © 1983  
 Heath Company  
 All Rights Reserved  
 Printed in the United States of America







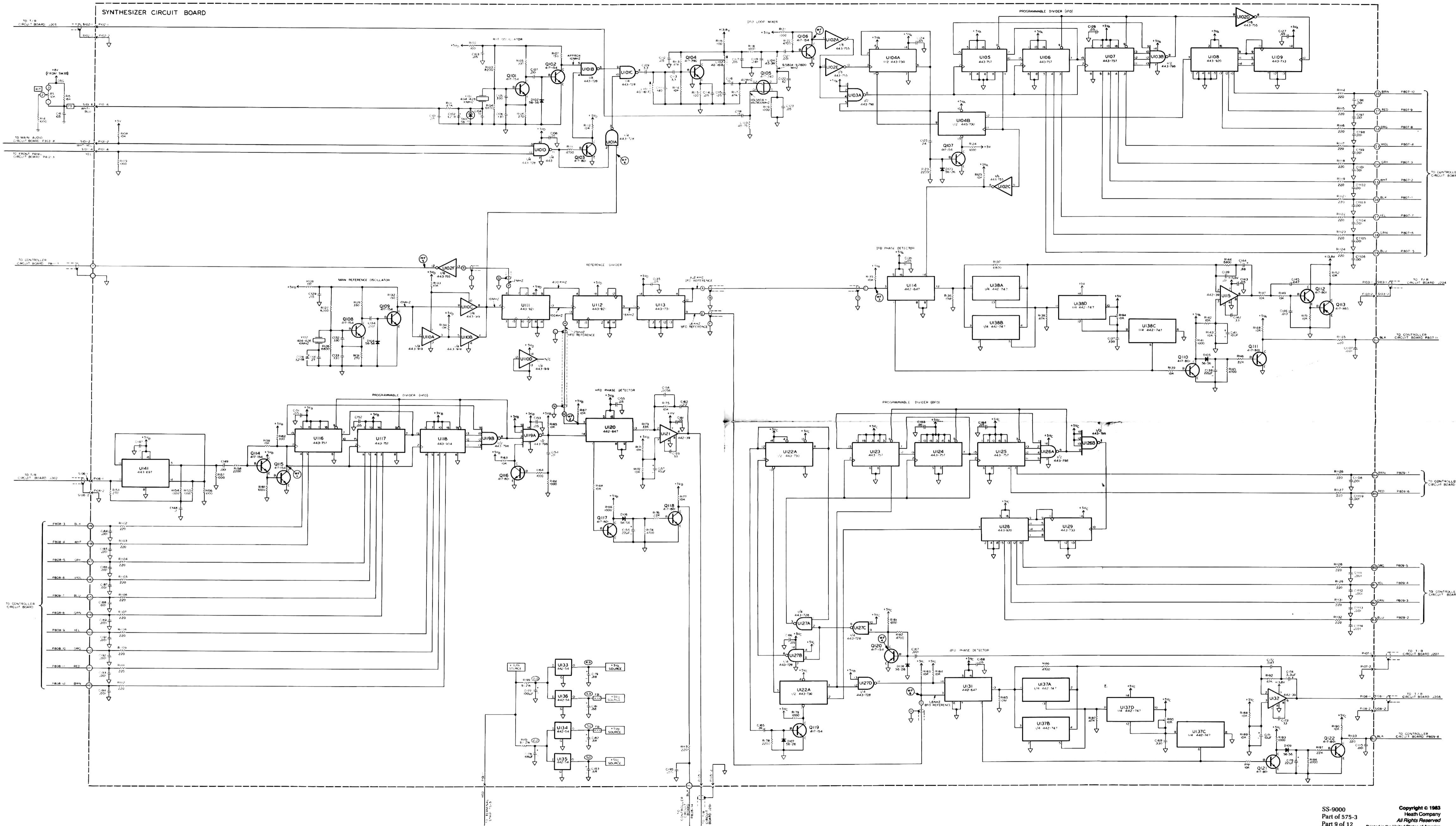


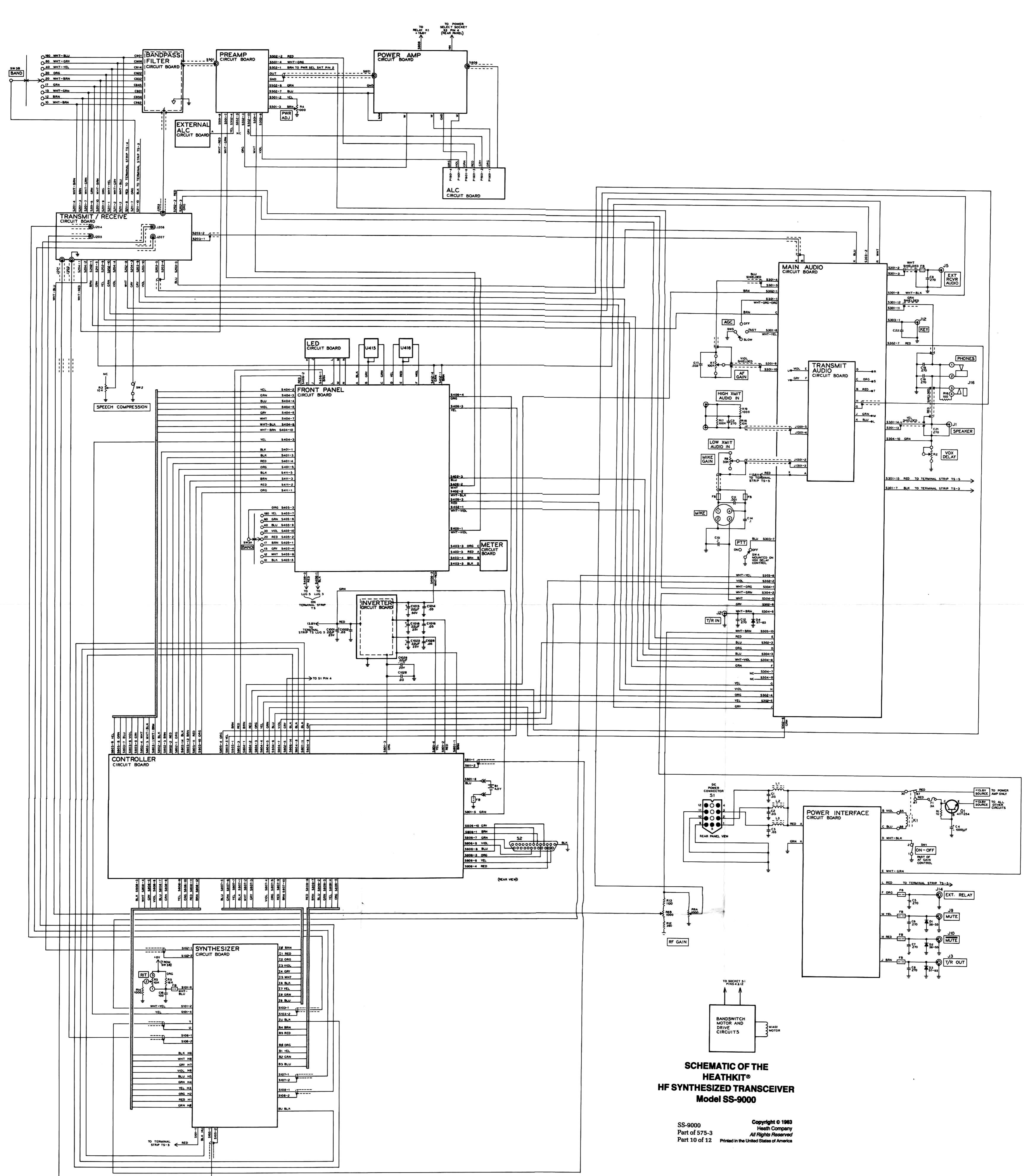
**CONTROLLER CIRCUIT BOARD**

SS-9000  
Part of 575-3  
Part 8 of 12

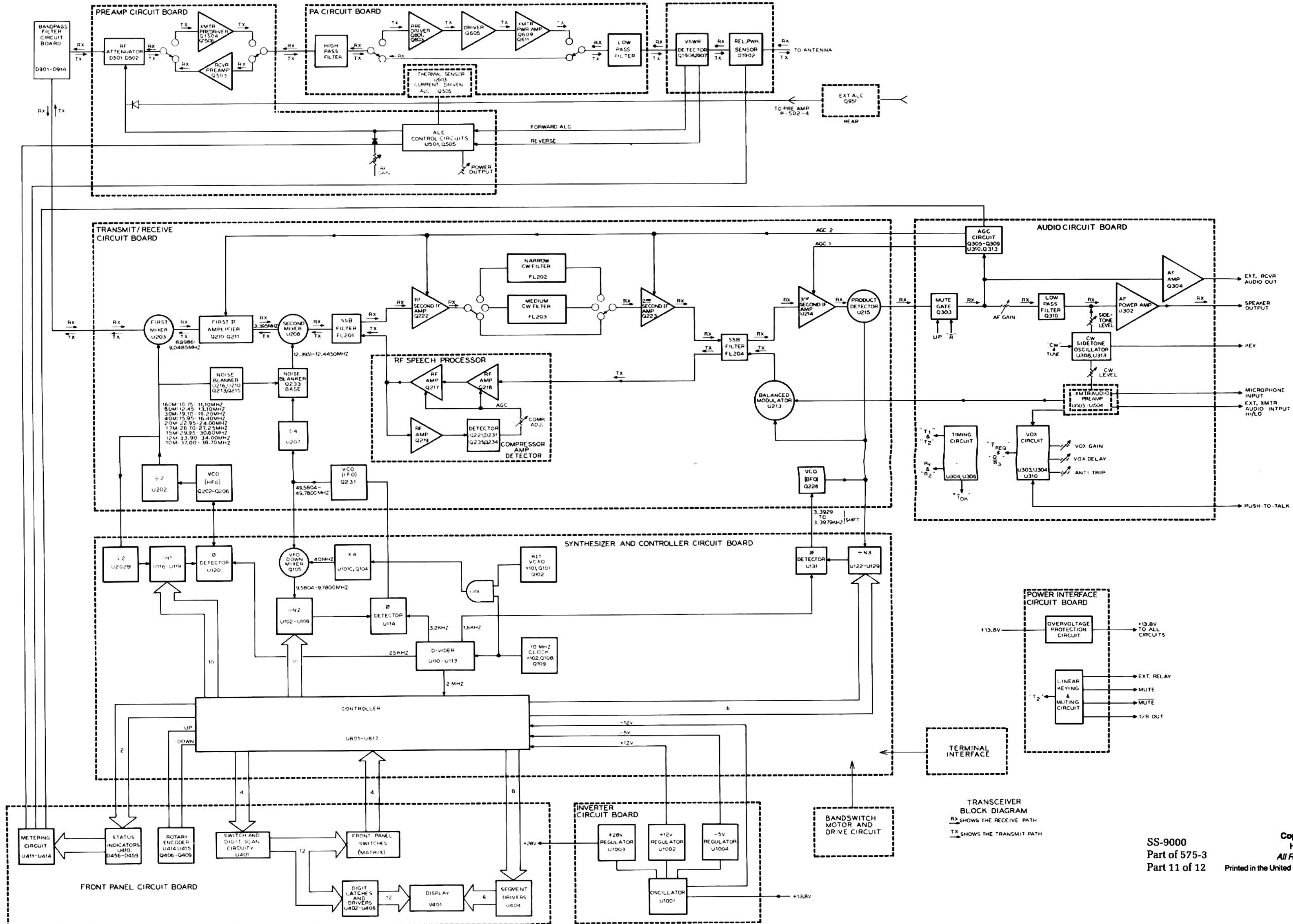
Copyright © 1983  
Heath Company  
All Rights Reserved  
Printed in the United States of America







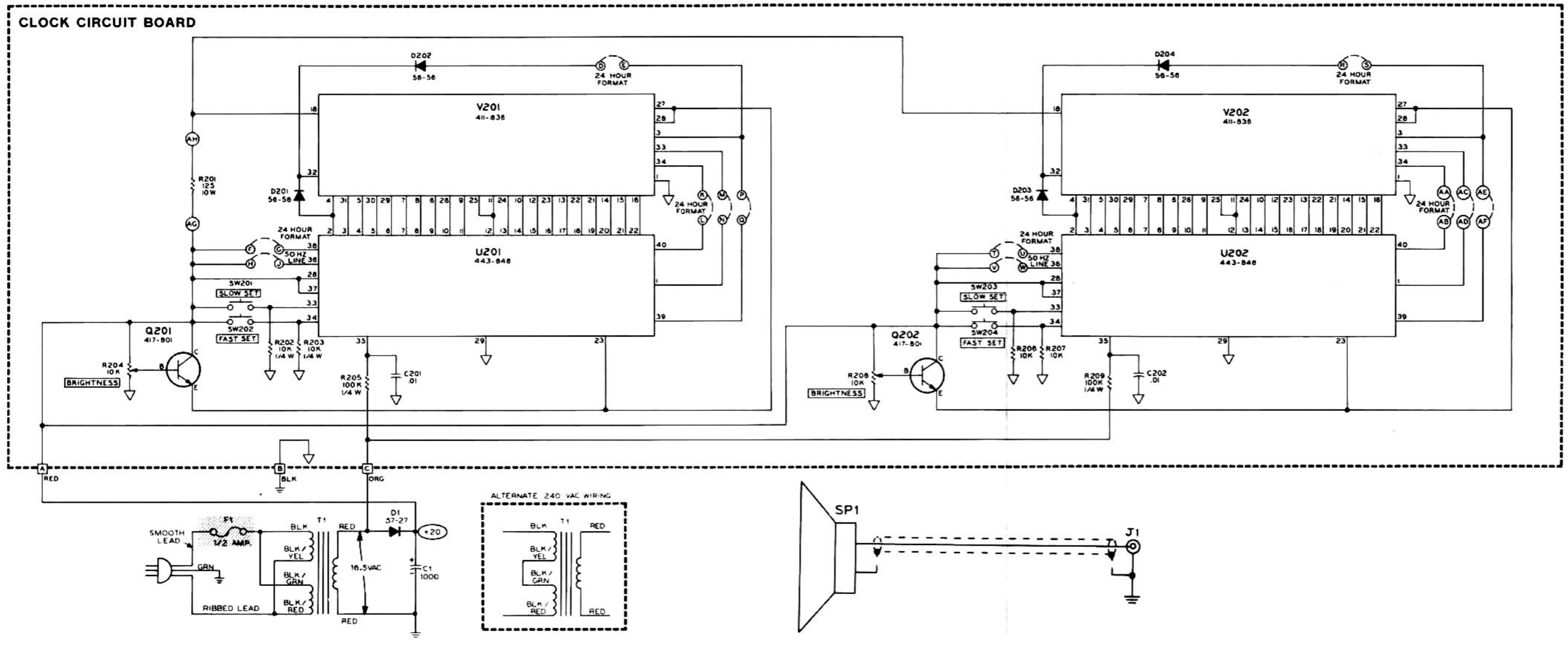
**SCHEMATIC OF THE  
HEATHKIT®  
HF SYNTHESIZED TRANSCEIVER  
Model SS-900**



TRANSCIVER  
BLOCK DIAGRAM  
RX SHOWS THE RECEIVE PATH  
TX SHOWS THE TRANSMIT PATH

SS-9000  
Part of 575-3  
Part 11 of 12

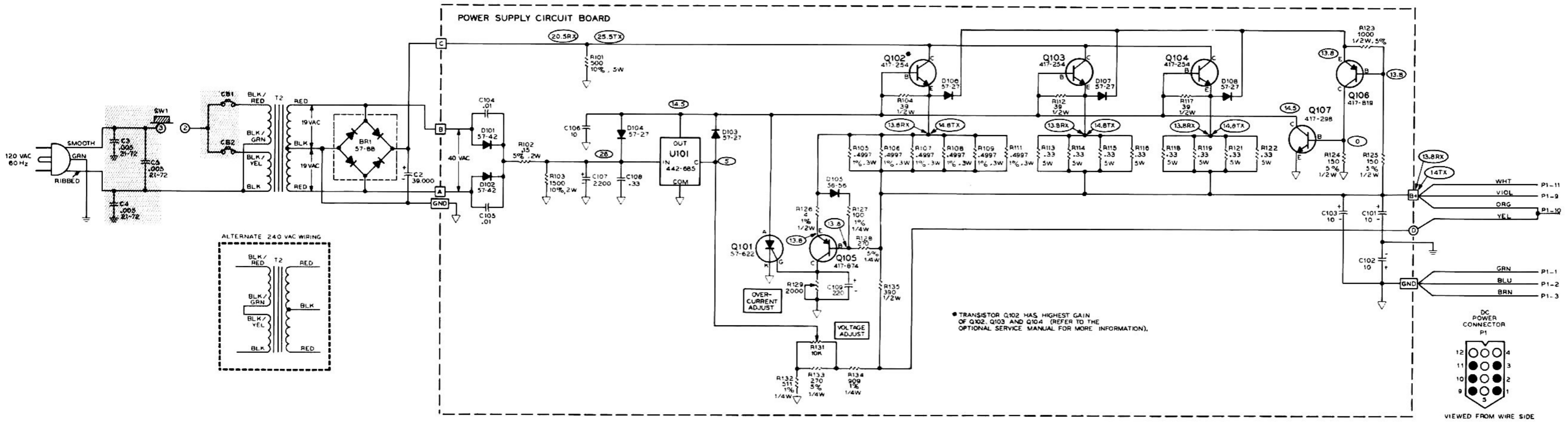
Copyright © 1983  
Heath Company  
All Rights Reserved  
Printed in the United States of America



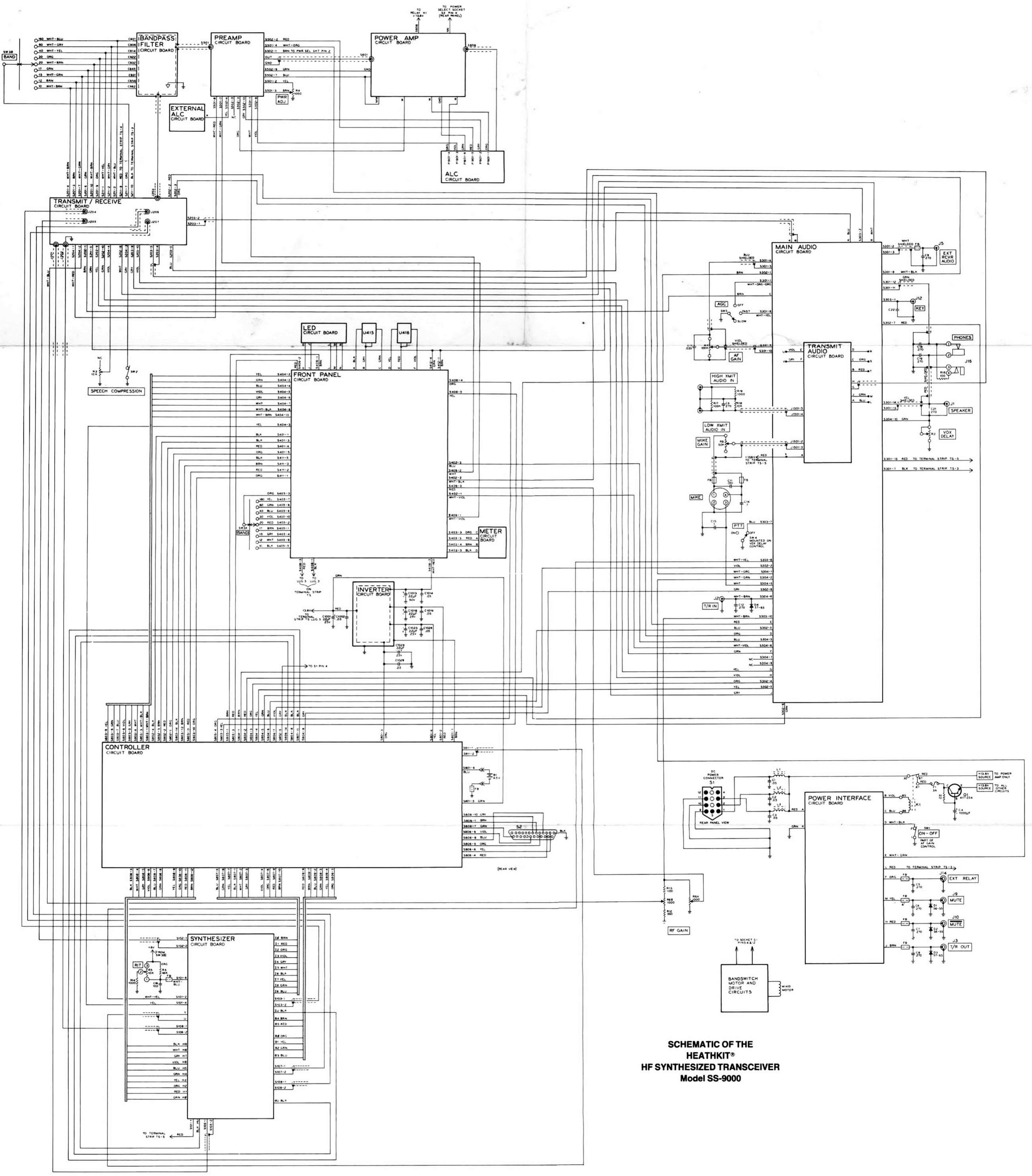
**SCHEMATIC OF THE  
HEATHKIT®  
POWER SUPPLY/SPEAKER/  
DUAL CLOCK  
MODEL PS-9000**

1. COMPONENT NUMBERS ARE IN THE FOLLOWING GROUPS:  
1-99 CHASSIS MOUNTED PARTS.  
100-199 PARTS MOUNTED ON THE POWER SUPPLY CIRCUIT BOARD.  
200-299 PARTS MOUNTED ON THE CLOCK CIRCUIT BOARD.
2. ALL RESISTORS ARE IN OHMS (K= 1000).
3. ALL CAPACITORS ARE IN µF.
4. □ THIS SYMBOL WITH A LETTER IN IT INDICATES A WIRE CONNECTION TO THE CIRCUIT BOARD.
5. ▽ THIS SYMBOL INDICATES CIRCUIT BOARD GROUND.
6. ≡ THIS SYMBOL INDICATES CHASSIS GROUND.
7. ○ THIS SYMBOL WITH A NUMBER IN IT INDICATES THE DC VOLTAGE TO CHASSIS GROUND FROM THE POINT INDICATED. READINGS SHOULD BE VALID FOR ALL NORMAL POWER SUPPLY OPERATING CONDITIONS.
8. COMPONENTS IN THE SHADED AREAS ARE CRITICAL TO CONTINUED PRODUCT SAFETY. REPLACE THEM ONLY WITH PARTS OF THE SAME RATING OR WITH PROPER HEATH REPLACEMENT PARTS.
9. THE CLOCKS MAY BE INDIVIDUALLY CHANGED TO INDICATE IN A 12-HOUR FORMAT. TO CHANGE THE CLOCKS, REMOVE OR CUT THE FOLLOWING JUMPER WIRES:

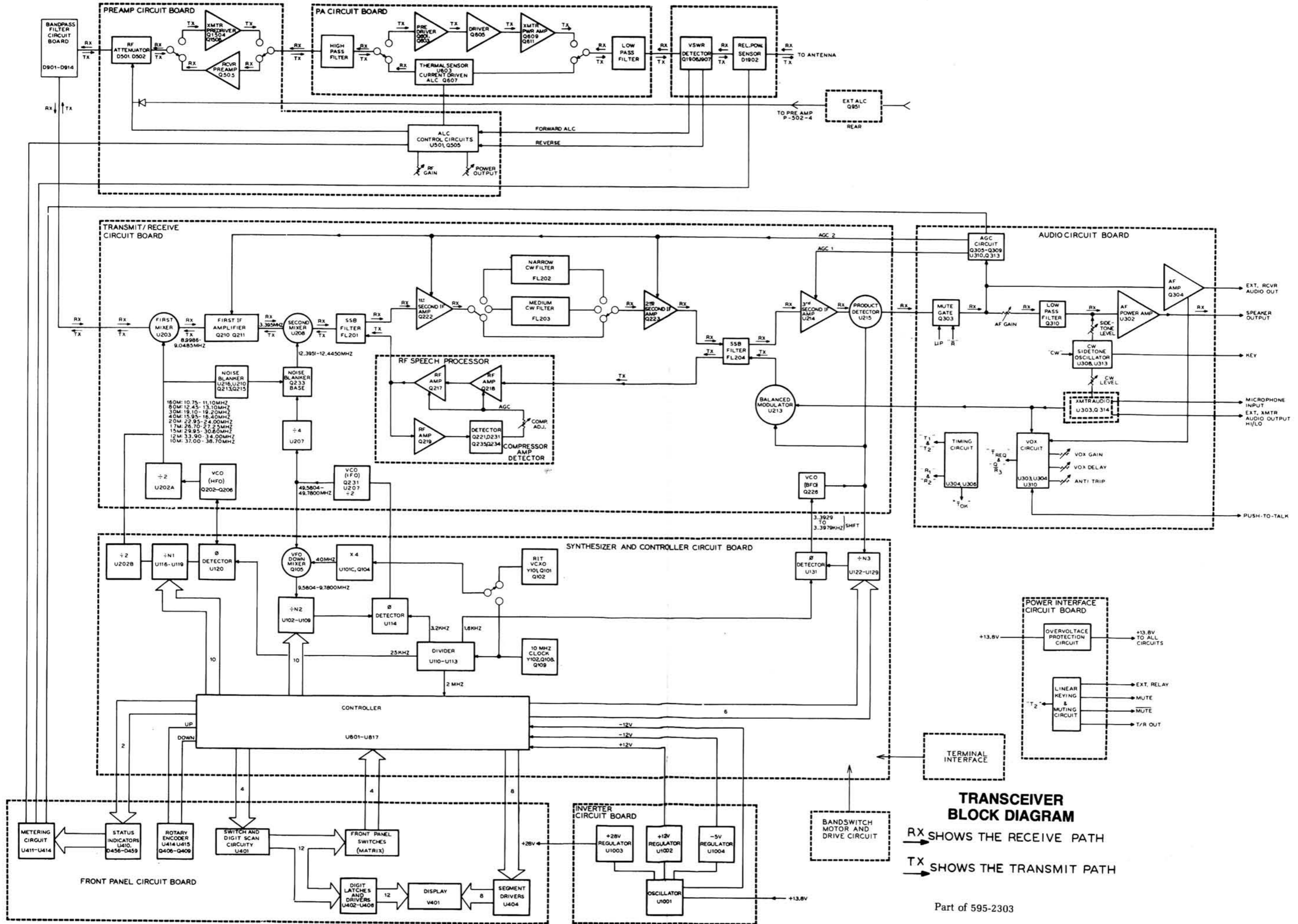
- a. LEFT-HAND CLOCK  
K TO L  
M TO N  
P TO Q  
F TO G  
D TO E
- b. RIGHT-HAND CLOCK  
AA TO AB  
AC TO AD  
AE TO AF  
R TO S  
T TO U



Copyright © 1982  
HEATH COMPANY  
All Rights Reserved  
Printed in the United States of America



**SCHEMATIC OF THE  
HEATHKIT®  
HF SYNTHESIZED TRANSCEIVER  
Model SS-900**



**TRANSCIVER BLOCK DIAGRAM**  
 RX SHOWS THE RECEIVE PATH  
 TX SHOWS THE TRANSMIT PATH